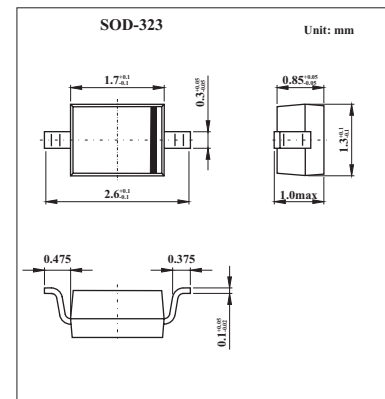


VHF TUNER BAND SWITCH APPLICATIONS

1SV307

■ Features

- Small packag
- Low series resistance: $r_s = 1.1 \Omega$ (Typ.)
- Small Total capacitance: $C_T = 0.3\text{pF}$ (Typ.)

■ Absolute Maximum Ratings $T_a = 25^\circ\text{C}$

Parameter	Symbol	Rating	Unit
Reverse Voltage	V_R	30	V
Forward Current	I_F	50	mA
Junction temperature	T_J	125	$^\circ\text{C}$
Storage temperature range	T_{stg}	-55 to +125	$^\circ\text{C}$

■ Electrical Characteristics $T_a = 25^\circ\text{C}$

Parameter	Symbol	Conditions	Min	Typ	Max	Unit
Reverse voltage	V_R	$V_R = 10 \mu\text{A}$	30			V
Reverse current	I_R	$V_R = 30\text{V}$			0.1	μA
Forward voltage	V_F	$I_R = 50\text{mA}$		0.95	1.0	V
Total capacitance	C_T	$V_R = 1\text{V}, f = 1\text{MHz}$		0.3	0.5	pF
Series resistance	r_s	$I_F = 10\text{mA}, f = 1.5\text{GHz}$		1.1		Ω

■ Marking

Marking	TX