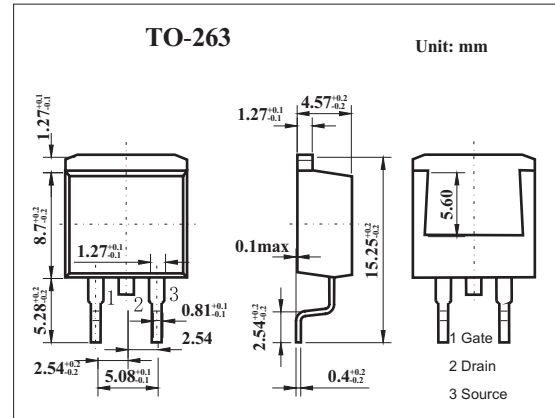
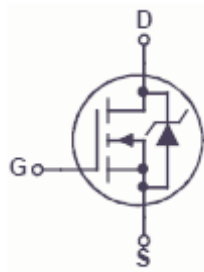


N-Channel PowerTrench MOSFET

KDB3682 (FDB3682)

■ Features

- $r_{DS(ON)} = 32m\ \Omega$ (Typ.), $V_{GS} = 10V$, $I_D = 32A$
- $Q_{g(tot)} = 18.5nC$ (Typ.), $V_{GS} = 10V$
- Low Miller Charge
- Low QRR Body Diode
- UIS Capability (Single Pulse and Repetitive Pulse)



■ Absolute Maximum Ratings $T_a = 25^\circ C$

Parameter	Symbol	Rating	Unit
Drain to source voltage	V_{DS}	100	V
Gate to source voltage	V_{GS}	± 20	V
Drain current-Continuous	I_D	$T_c=25^\circ C$	32
		$T_A=25^\circ C$	6
Power dissipation	P_D	95	W
Derate above $25^\circ C$		0.63	W/ $^\circ C$
Thermal Resistance Junction to Ambient	$R_{\theta JA}$	43	$^\circ C/W$
Thermal Resistance, Junction-to-Case	$R_{\theta JC}$	1.58	$^\circ C/W$
Channel temperature	T_{ch}	175	$^\circ C$
Storage temperature	T_{stg}	-55 to +175	$^\circ C$

KDB3682 (FDB3682)

■ Electrical Characteristics Ta = 25°C

Parameter	Symbol	Testconditons	Min	Typ	Max	Unit
Drain to source breakdown voltage	V _{DSS}	I _D =250μA, V _{GS} =0V	100			V
Drain cut-off current	I _{DSS}	V _{DS} =80V, V _{GS} =0			1	μA
		V _{DS} =80V, V _{GS} =0, T _C =150°C			250	μA
Gate leakage current	I _{GSS}	V _{GS} =±20V			±100	nA
Gate threshold voltage	V _{GS(th)}	V _{DS} = V _{GS} , I _D = 250μA	2.0		4.0	V
Drain to source on-state resistance	R _{DS(on)}	V _{GS} =10V, I _D =32A		0.032	0.036	Ω
		V _{GS} =16V, I _D =16A		0.040	0.060	
		V _{GS} =10V, I _D =32A, T _C =175°C		0.080	0.090	
Input capacitance	C _{iss}			1250		pF
Output capacitance	C _{oss}	V _{DS} =25V, V _{GS} =0, f=1MHZ		190		pF
Reverse transfer capacitance	C _{rss}			45		pF
Total Gate Charge at 10V	Q _{g(TOT)}	V _{GS} = 0V to 10V		18.5	28	nC
Threshold Gate Charge	Q _{g(TH)}	V _{GS} = 0V to 2V		2.4	3.6	nC
Gate to Source Gate Charge	Q _{gs}			6.5		nC
Gate Charge Threshold to Plateau	Q _{gs2}	V _{DS} = 50 V, I _D = 32A, I _g =1.0mA		4.1		nC
Gate to Drain "Miller" Charge	Q _{gd}			4.6		nC
Turn-On Time	t _{ON}				83	ns
Turn-On Delay Time	t _{d(ON)}			9		ns
Rise Time	t _r	V _{DD} = 50 V, I _D = 32A,		46		ns
Turn-Off Delay Time	t _{d(OFF)}	V _{GS} = 10 V, R _{GS} = 16 Ω		26		ns
Fall Time	t _f			32		ns
Turn-Off Time	t _{OFF}				87	ns
Source to Drain Diode Voltage	V _{SD}	I _{SD} =32A			1.25	V
		I _{SD} =16A			1.0	V
Reverse Recovery Time	t _{rr}	I _{SD} = 32A, di _{SD} /dt = 100A/μs			55	ns
Reverse Recovered Charge	Q _{RR}	I _{SD} = 32A, di _{SD} /dt = 100A/μs			90	nC