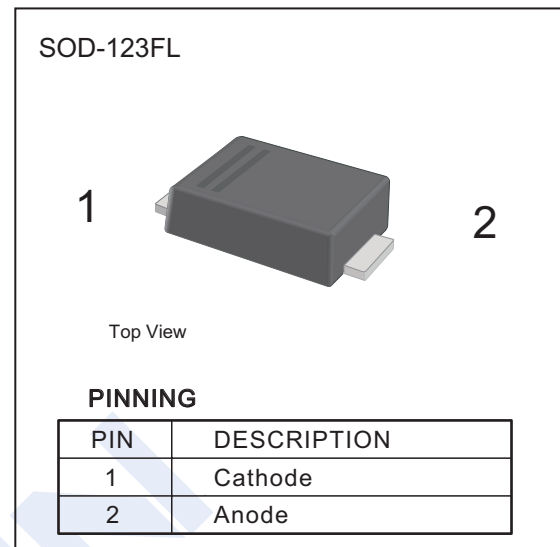
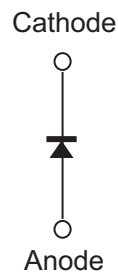


Small Surface Mount Fast Diodes

RS1001FL ~ RS1008FL

■ Features

- For surface mounted application
- Low profile package
- Ideal for automated placement
- Glass Passivated Chip Junction
- High temperature soldering :
260°C / 10 seconds at terminals

■ Absolute Maximum Ratings $T_a = 25^\circ\text{C}$

Parameter	Symbol	RS1001FL	RS1002FL	RS1004FL	RS1006FL	RS1008FL	Unit	
Repetitive Peak Reverse Voltage	VRRM	100	200	400	600	800	V	
Surge Peak Reverse Voltage	V _{RSM}	70	140	280	420	560		
Maximum DC Blocking Voltage	V _{DC}	100	200	400	600	800		
Instantaneous Forward Voltage $I_F=0.7\text{A}$	V _F	1.15						
Averaged Forward Current $T_{tp}=65^\circ\text{C}$ $T_a=45^\circ\text{C}$	I _{FAV}	1.4					A	
		0.5						
Maximum DC Reverse Current $T_a=25^\circ\text{C}$ $T_a=125^\circ\text{C}$	I _R	10					μA	
		50						
Reverse Recovery Time *1	t _{rr}	150			250	500	ns	
Typical Junction Capacitance *2	C _j	9					pF	
Junction Temperature	T _j	150					$^\circ\text{C}$	
Storage Temperature	T _{stg}	-55 to 150						

* 1 Measured with $I_F = 0.5\text{ A}$, $I_R = 1\text{ A}$, $I_{rr} = 0.25\text{ A}$

* 2 Measured at 1MHz and applied reverse voltage of 4V D.C

Small Surface Mount Fast Diodes

RS1001FL ~ RS1008FL

■ Typical Characteristics

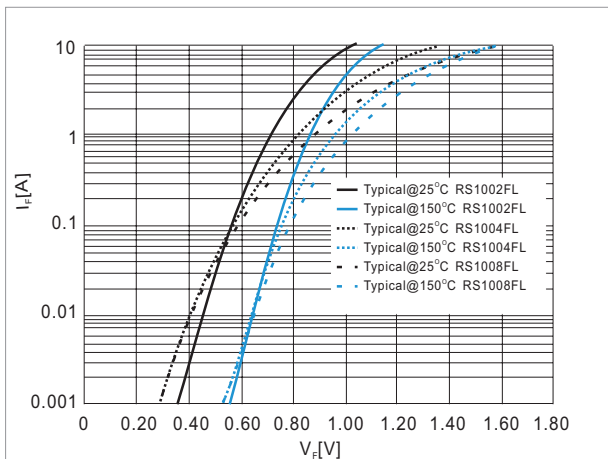


Fig.1-Typical forward characteristics

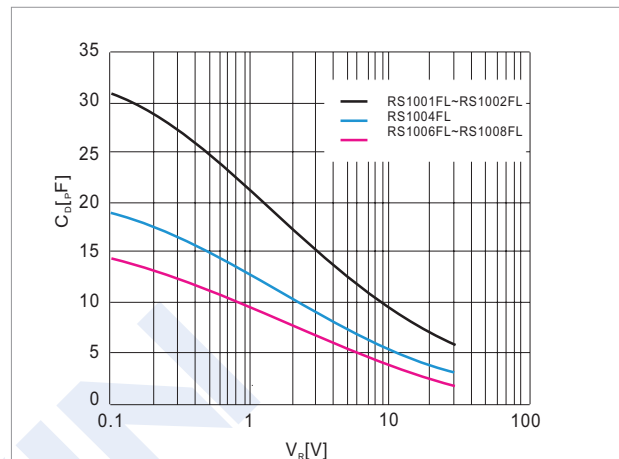


Fig.3-Typ. diode capacitance vs. Reverse voltage

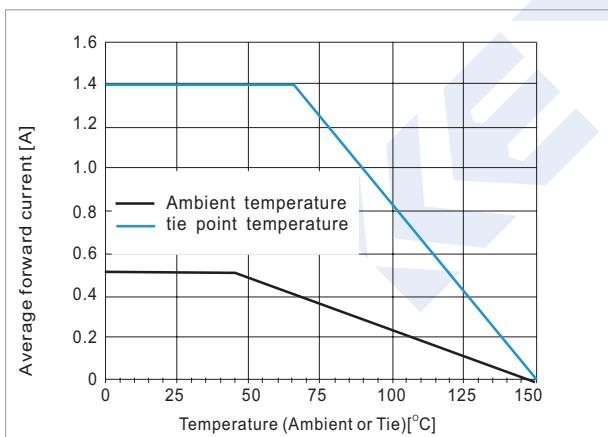


Fig.2-Forward current derating curve

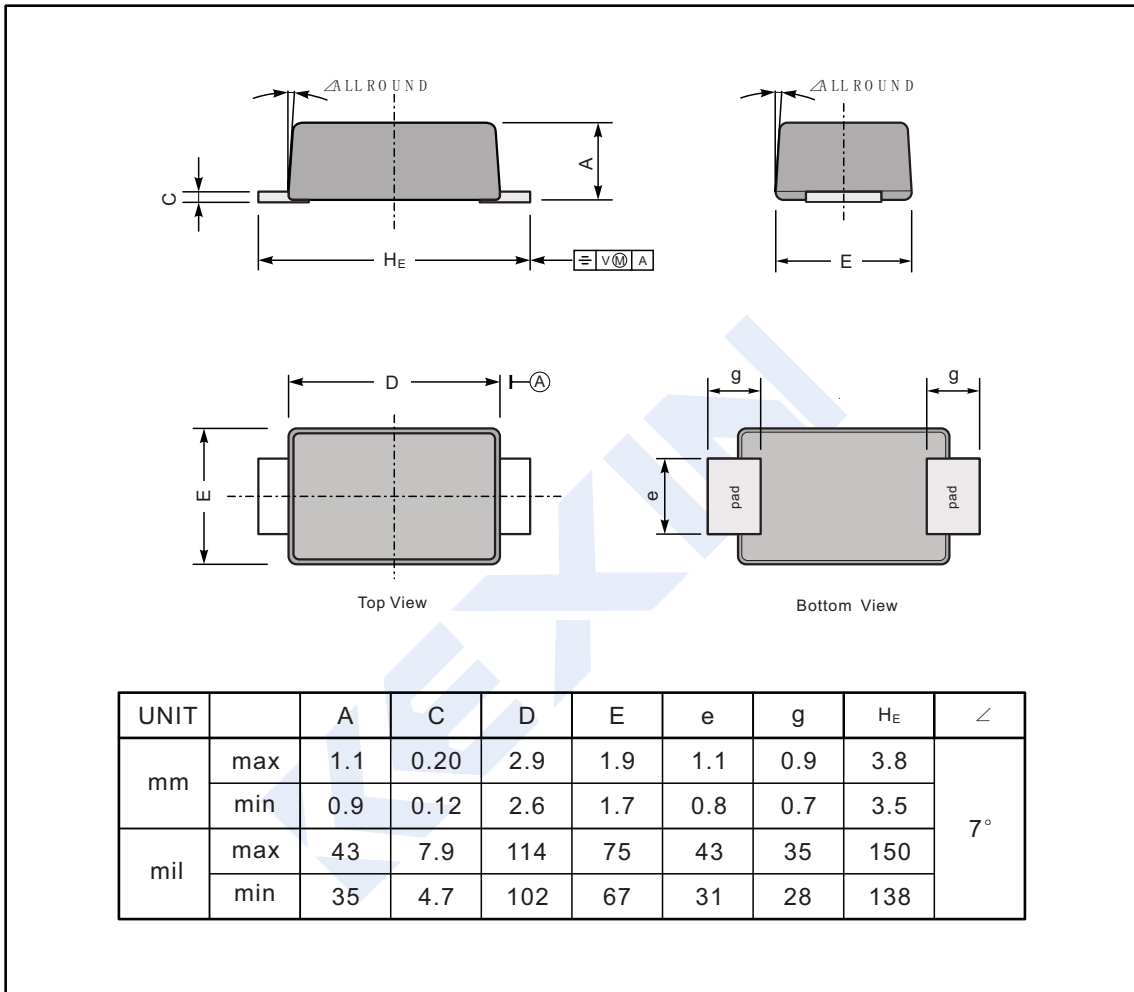
Small Surface Mount Fast Diodes

RS1001FL ~ RS1008FL

■ Package Outline Dimensions

Plastic surface mounted package; 2 leads

SOD-123FL



■ The recommended mounting pad size

